

## KPL-24

### Heavy Construction Equipment Grease Lubricator

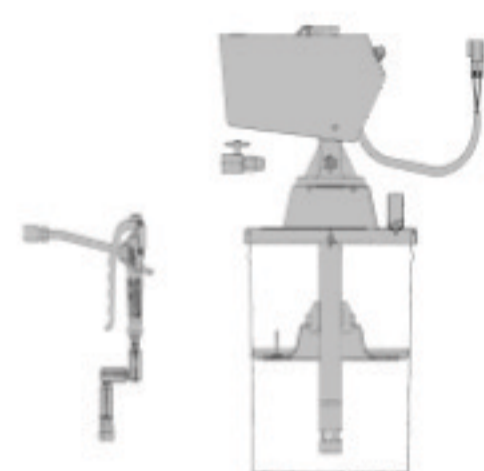
The KPL-24 is an electrically powered grease lubricator specifically designed for use on heavy construction machinery. It is powered directly by the internal DC 24V batteries standard in most construction machines. The KPL-24 is compact, sturdy and provides maximum portability on any work site especially where there may be no other readily available power sources. It is designed to fit onto any standard 18-liter grease pail. It has a high discharge pressure and is capable of pumping grease of various viscosities.

A variety of accessories are available including different length hoses, power cords, reels and metering devices.

This makes the KPL-24 a very efficient and flexible option for every work site.



Part Number	Product name	Volume output	Pressure output	Power Source	Weight	Supplied Accessories
880639	KPL-24	80-120 l/min	28MPa (280kgf/cm <sup>2</sup> )	DC 24V 100-130W 2-7.5A	12 kg	852164 High Pressure Gun 803085 Follower Plate Power cord 2.5 Meters



Depending on the size of the vehicle, specific length hoses and power cables may be required. Please make sure that you choose the correct accessories suited to your particular vehicle. Heavy-duty reels and high-pressure hoses are also available.

### Optional Accessories

**HP grease hose**

3/8" 10 meters 695303

**Hose reel**

3/8" 15 meters 852042

**Hose reel**

3/8" 10 meters 852077

**Power cable**

5-meters 802817

**Dolly S-20**

851003

**Caster KPL-55C**

802335

**Weatherproof cover**

683239



### Typical installation

Fitted as an option on machines like the

**Komatsu**

PC-600

**Hitachi**

ZX-300, ZX-400 ZX-550 ZX-750

**Caterpillar/ Mitsubishi**

B.308 B-320

**Sumitomo**

K.431 (80t)

**Kato**



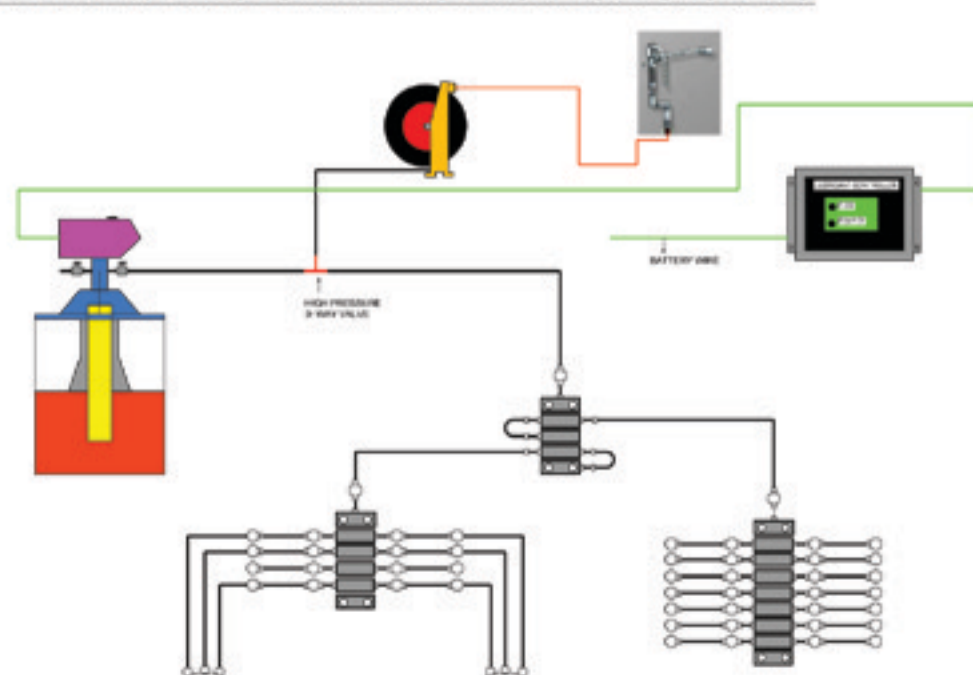
## Auto Lubricator for Bigger Machines with Higher Grease Usage



**AUTO & CONSTRUCTION EQUIPMENT CORPORATION**  
www.autolube.in

### YAMADA KPL 24 AUTOMATIC LUBRICATION SYSTEMS

- YAMADA KPL 24 GREASE PUMP
- ELECTRONIC MONITOR
- GREASE FEEDER
- DISTRIBUTORS
- LUBE LINES
- FITTINGS
- CHANGE OVER VALVE
- GREASE GUNS
- 10 M HOSE
- PRESSURE GAUGE



AUTO AND CONSTRUCTION EQUIPMENT CORPORATION

1/43, OLD RAJENDRA NAGAR NEW DELHI - 110060